

SANVALVE SOLENOİD VALFLER

2/2 YOLLU NORMALDE KAPALI - ÇEKİRDEK TİP DİREK ÇEKMELE

316



1/8" - 1/4"
Direk
Çekmeli

KOD	ÖLÇÜ	SICAKLIK	BASINÇ	ORİFİS	SIZDIRMAZLIK	FİYAT [Ş]
SLP1DF02V3A03	1/8"	140°C	0-13 bar	3 mm	VİTON	29
SLP1DF02V3B03	1/4"	140°C	0-13 bar	3 mm	VİTON	29
SLP1DF02V3BC9	1/4"	140°C	0-16 bar	9 mm	VİTON	45
SLP1DF02T3B03	1/4"	185°C	0-10 bar	3 mm	TEFLON	32
SLP1DF02V3B05	1/4"	140°C	0-5 bar	5 mm	VİTON	34
SLP1DF02V3DC9	1/2"	140°C	0-16 bar	9 mm	VİTON	45
SLP1DF02V3D10	1/2"	140°C	0-16 bar	10 mm	VİTON	46



1/2" Direk
Çekmeli

2/2 YOLLU NORMALDE KAPALI - ÇEKİRDEK TİP DİREK ÇEKMELE

PIRİNÇ



1/2" Direk
Çekmeli

KOD	ÖLÇÜ	SICAKLIK	BASINÇ	ORİFİS	SIZDIRMAZLIK	FİYAT [Ş]
SLP1DF02V1A02	1/8"	140°C	0-10 bar	2 mm	VİTON	8
SLA1DF02E1BC3	1/4"	150°C	0-10 bar	3 mm	EPDM	10
SLM1DF02V1BC3	1/4"	140°C	0-10 bar	3 mm	VİTON	12
SLP1DF02V1B03	1/4"	140°C	0-16 bar	3 mm	VİTON	18
SLP1DF02T1B03	1/4"	185°C	0-10 bar	3 mm	TEFLON	20
SLP1DF02V1B10	1/4"	140°C	0-16 bar	10 mm	VİTON	32
SLP1DF02V1D10	1/2"	140°C	0-16 bar	10 mm	VİTON	34



1/8" Paslanmaz
Filtreli

2/2 YOLLU NORMALDE KAPALI - DİYAFRAM TİP PİLOT KUMANDALI

316



1/2" - 3/4" - 1"

KOD	ÖLÇÜ	SICAKLIK	BASINÇ	ORİFİS	SIZDIRMAZLIK	FİYAT [Ş]
SLP1DF02V3C13	3/8"	130°C	0-16 bar	13 mm	VİTON	53
SLP1DF02V3D13	1/2"	130°C	0,5-16 bar	13 mm	VİTON	54
SLP1DF02V3E20	3/4"	130°C	0,5-16 bar	20 mm	VİTON	65
SLP1DF02V3G25	1"	130°C	0,5-16 bar	25 mm	VİTON	76
SLP1DF02V3H35	1 1/4"	130°C	0,5-16 bar	35 mm	VİTON	155
SLP1DF02V3J40	1 1/2"	130°C	0,5-16 bar	40 mm	VİTON	158
SLP1DF02V3K50	2"	130°C	0,5-16 bar	50 mm	VİTON	228



1 1/4" - 1 1/2" - 2"

2/2 YOLLU NORMALDE KAPALI - DİYAFRAM TİP PİLOT KUMANDALI

PIRİNÇ



3/8" - 1/2"

KOD	ÖLÇÜ	SICAKLIK	BASINÇ	ORİFİS	SIZDIRMAZLIK	FİYAT [Ş]
SLM1DF02N1C12	3/8"	90°C	0,5-16 bar	12 mm	NBR	23
SLM1DF02N1D12	1/2"	90°C	0,5-16 bar	12 mm	NBR	25
SLM1DF02N1E20	3/4"	90°C	0,5-16 bar	20 mm	NBR	30
SLM1DF02N1G25	1"	90°C	0,5-16 bar	25 mm	NBR	49



3/4" - 1"

SANVALVE SOLENOİD VALFLER

2/2 YOLLU NORMALDE KAPALI - DİYAFRAM TİP PİLOT KUMANDALI

PIRİNÇ



KOD	ÖLÇÜ	SICAKLIK	BASINÇ	ORİFİS	SIZDIRMAZLIK	FİYAT [₺]
SLP1DF02V1C13	3/8"	130°C	0,5-16 bar	13 mm	VİTON	32
SLP1DF02V1D13	1/2"	130°C	0,5-16 bar	13 mm	VİTON	34
SLP1DF02V1E20	3/4"	130°C	0,5-16 bar	20 mm	VİTON	39
SLP1DF02V1G25	1"	130°C	0,5-16 bar	25 mm	VİTON	58
SLP1DF02V1H35	1 1/4"	130°C	0,5-16 bar	35 mm	VİTON	106
SLP1DF02V1J40	1 1/2"	130°C	0,5-16 bar	40 mm	VİTON	108
SLP1DF02V1K50	2"	130°C	0,5-16 bar	50 mm	VİTON	159



2/2 YOLLU NORMALDE AÇIK - ÇEKİRDEK TİP DİREK ÇEKME Lİ

316



KOD	ÖLÇÜ	SICAKLIK	BASINÇ	ORİFİS	SIZDIRMAZLIK	FİYAT [₺]
SLP2DF02V5B03	1/4"	130°C	0-12 bar	3 mm	VİTON	40
SLP2DF02V3B03	1/4"	130°C	0-6 bar	3 mm	VİTON	42
SLP2DF02V5BC2	1/4"	130°C	0-16 bar	2 mm	VİTON	44



2/2 YOLLU NORMALDE AÇIK - ÇEKİRDEK TİP DİREK ÇEKME Lİ

PIRİNÇ



KOD	ÖLÇÜ	SICAKLIK	BASINÇ	ORİFİS	SIZDIRMAZLIK	FİYAT [₺]
SLP2DF02V9B03	1/4"	130°C	0-13 bar	3 mm	VİTON	32
SLP2DF02V1B03	1/4"	130°C	0-6 bar	3 mm	VİTON	34
SLP2DF02V1BC2	1/4"	130°C	0-13 bar	2 mm	VİTON	35
SLP2DF02V9BC2	1/4"	130°C	0-20 bar	2 mm	VİTON	35
SLG2DF02N1D13	1/2"	90°C	1-40 bar	13 mm	NBR	115
SLGA2DF02V1D15	1/2"	130°C	0.5-50 bar	15 mm	VİTON	65
SLG2DF02N1A02	1/8"	90°C	0-40 bar	2 mm	NBR	36



2/2 YOLLU NORMALDE AÇIK - DİYAFRAM TİP PİLOT KUMANDALI

316



KOD	ÖLÇÜ	SICAKLIK	BASINÇ	ORİFİS	SIZDIRMAZLIK	FİYAT [₺]
SLP2DF02V3D13	1/2"	130°C	0,5-16 bar	13 mm	VİTON	69
SLP2DF02V3E20	3/4"	130°C	0,5-16 bar	20 mm	VİTON	80
SLP2DF02V3G25	1"	130°C	0,5-16 bar	25 mm	VİTON	98
SLP2DF02V3H35	1 1/4"	130°C	0,5-16 bar	35 mm	VİTON	165
SLP2DF02V3J40	1 1/2"	130°C	0,5-16 bar	40 mm	VİTON	169
SLP2DF02V3K50	2"	130°C	0,5-16 bar	50 mm	VİTON	245

2/2 YOLLU NORMALDE AÇIK - DİYAFRAM TİP PİLOT KUMANDALI

PIRİNÇ



KOD	ÖLÇÜ	SICAKLIK	BASINÇ	ORİFİS	SIZDIRMAZLIK	FİYAT [₺]
SLP2DF02V1D13	1/2"	130°C	0,5-16 bar	13 mm	VİTON	46
SLP2DF02V1E20	3/4"	130°C	0,5-16 bar	20 mm	VİTON	54
SLP2DF02V1G25	1"	130°C	0,5-16 bar	25 mm	VİTON	65
SLP2DF02V1H35	1 1/4"	130°C	0,5-16 bar	35 mm	VİTON	122
SLP2DF02V1J40	1 1/2"	130°C	0,5-16 bar	40 mm	VİTON	125
SLP2DF02V1K50	2"	130°C	0,5-16 bar	50 mm	VİTON	168

SANVALVE SOLENOİD VALFLER

2/2 NORMALDE KAPALI - PİSTON TİP - YÜKSEK BUHAR - 185 C

304



KOD	ÖLÇÜ	SICAKLIK	BASINÇ	ORİFİS	SIZDIRMAZLIK	FİYAT [₺]
SLA1WH02T4D15	1/2"	185°C	0,5-25 bar	15 mm	TEFLON	89
SLA1WH02T4E20	3/4"	185°C	0,5-25 bar	20 mm	TEFLON	105
SLA1WH02T4G25	1"	185°C	0,5-25 bar	25 mm	TEFLON	119
SLA1WH02T4H35	1 1/4"	185°C	0,5-25 bar	35 mm	TEFLON	220
SLA1WH02T4J40	1 1/2"	185°C	0,5-25 bar	40 mm	TEFLON	225
SLA1WH02T4K50	2"	185°C	0,5-25 bar	50 mm	TEFLON	298

2/2 NORMALDE KAPALI - PİSTON TİP - YÜKSEK BUHAR - 185 C

PİRİNÇ



KOD	ÖLÇÜ	SICAKLIK	BASINÇ	ORİFİS	SIZDIRMAZLIK	FİYAT [₺]
SLA1WH02T1D15	1/2"	185°C	0,5-25 bar	15 mm	TEFLON	68
SLA1WH02T1E20	3/4"	185°C	0,5-25 bar	20 mm	TEFLON	79
SLA1WH02T1G25	1"	185°C	0,5-25 bar	25 mm	TEFLON	90
SLA1WH02T1H35	1 1/4"	185°C	0,5-25 bar	35 mm	TEFLON	175
SLA1WH02T1J40	1 1/2"	185°C	0,5-25 bar	40 mm	TEFLON	178
SLA1WH02T1K50	2"	185°C	0,5-25 bar	50 mm	TEFLON	248

2/2 NORMALDE AÇIK - PİSTON TİP - YÜKSEK BUHAR - 185 C

PİRİNÇ



KOD	ÖLÇÜ	SICAKLIK	BASINÇ	ORİFİS	SIZDIRMAZLIK	FİYAT [₺]
SLA2WH02T1D15	1/2"	185°C	0,5-25 bar	15 mm	TEFLON	110
SLA2WH02T1E20	3/4"	185°C	0,5-25 bar	20 mm	TEFLON	120
SLA2WH02T1G25	1"	185°C	0,5-25 bar	25 mm	TEFLON	145

2/2 YOLLU NORMALDE KAPALI - ÇEKİRDEK TİP YÜKSEK BASINÇ



130 bar

KOD	ÖLÇÜ	SICAKLIK	BASINÇ	ORİFİS	SIZDIRMAZLIK	FİYAT [₺]
SLZ1DF02V4B01	1/4"	130°C	0-130 bar	1 mm	VİTON	49
SLZ1DF02V4BC2	1/4"	130°C	0-120 bar	1.5 mm	VİTON	49
SLZ1DF02K1B08	1/4"	130°C	0-150 bar	8 mm	VİTON	115



150 bar

2/2 YOLLU NORMALDE KAPALI - PİSTON TİP - YÜKSEK BASINÇ



KOD	ÖLÇÜ	SICAKLIK	BASINÇ	ORİFİS	SIZDIRMAZLIK	FİYAT [₺]
SLG1DF02V3BC2	1/4"	110°C	0-75 bar	2 mm	VİTON	44
SMZ1MF02K3B10W	1/4"	110°C	360 bar	10 mm	PEEK	Sorunuz
SLG1DF02V4D15	1/2"	110°C	0-75 bar	15 mm	VİTON	105
SMZ1MF02K3D15W	1/2"	110°C	360 bar	15 mm	PEEK	Sorunuz
SLG1DF02T4D08	1/2"	185°C	0,5-90 bar	8 mm	TEFLON	125
SLG1DF02V4E20	3/4"	110°C	0-65 bar	20 mm	VİTON	128
SLG1DF02V4G25	1"	110°C	0-55 bar	25 mm	VİTON	139

NEW!



SANVALVE SOLENOİD VALFLER

2/2 YOLLU NORMALDE KAPALI - PİSTON TİP - YÜKSEK BASINÇ

PIRİNÇ



KOD	ÖLÇÜ	SICAKLIK	BASINÇ	ORİFİS	SIZDIRMAZLIK	FİYAT [₺]
SLG1DF02V1BC2	1/4"	130°C	0-75 bar	2 mm	VİTON	35
SLG1DF02V1D15	1/2"	130°C	0-75 bar	15 mm	VİTON	79
SLG1DF02V1E20	3/4"	130°C	0-65 bar	20 mm	VİTON	85
SLG1DF02V1G25	1"	130°C	0-55 bar	25 mm	VİTON	109
SLGA1DF02V1D15	1/2"	130°C	0-50 bar	15 mm	VİTON	60
SLGA1DF02V1E15	3/4"	130°C	0-50 bar	20 mm	VİTON	69
SLGA1DF02V1G25	1"	130°C	0-50 bar	25 mm	VİTON	79



2/2 YOLLU NORMALDE KAPALI - YÜKSEK BUHAR - 250 C



KOD	ÖLÇÜ	SICAKLIK	BASINÇ	ORİFİS	SIZDIRMAZLIK	FİYAT [₺]
SLH1WH02T4D15	1/2"	250°C	0,5-25 bar	15 mm	TEFLON	145
SLH1WH02T4E20	3/4"	250°C	0,5-25 bar	20 mm	TEFLON	160
SLH1WH02T4G25	1"	250°C	0,5-25 bar	25 mm	TEFLON	185
SLH1WH02T4H35	1 1/4"	250°C	0,5-25 bar	35 mm	TEFLON	260
SLH1WH02T4J40	1 1/2"	250°C	0,5-25 bar	40 mm	TEFLON	265
SLH1WH02T4K50	2"	250°C	0,5-25 bar	50 mm	TEFLON	365

316

2/2 YOLLU NORMALDE KAPALI - SIFIR BASINÇ



KOD	ÖLÇÜ	SICAKLIK	BASINÇ	ORİFİS	SIZDIRMAZLIK	FİYAT [₺]
ZS1DF02V4D10	1/2"	120°C	0-20 bar	10 mm	VİTON	49
ZS1DF02V4D16	1/2"	120°C	0-10 bar	16 mm	VİTON	50
ZS1DF02V4E20	3/4"	120°C	0-10 bar	20 mm	VİTON	59
ZS1DF02V4G25	1"	120°C	0-10 bar	25 mm	VİTON	79
ZS1DF02V4H35	1 1/4"	120°C	0-10 bar	35 mm	VİTON	149
ZS1DF02V4J40	1 1/2"	120°C	0-10 bar	40 mm	VİTON	164
ZS1DF02V4K50	2"	120°C	0-10 bar	50 mm	VİTON	258

304



2/2 YOLLU NORMALDE AÇIK - SIFIR BASINÇ



KOD	ÖLÇÜ	SICAKLIK	BASINÇ	ORİFİS	SIZDIRMAZLIK	FİYAT [₺]
ZS2DF02V4D16	1/2"	120°C	0-5 bar	16 mm	VİTON	89
ZS2DF02V4E20	3/4"	120°C	0-5 bar	20 mm	VİTON	99
ZS2DF02V4G25	1"	120°C	0-5 bar	25 mm	VİTON	124

304



2/2 YOLLU NORMALDE KAPALI - SIFIR BASINÇ

PIRİNÇ



KOD	ÖLÇÜ	SICAKLIK	BASINÇ	ORİFİS	SIZDIRMAZLIK	FİYAT [₺]
ZS1DF02V9D10	1/2"	120°C	0-20 bar	10 mm	VİTON	44
ZS1DF02V1D16	1/2"	120°C	0-10 bar	16 mm	VİTON	42
ZS1DF02V1E20	3/4"	120°C	0-10 bar	20 mm	VİTON	49
ZS1DF02V1G25	1"	120°C	0-10 bar	25 mm	VİTON	65
ZS1DF02V1H35	1 1/4"	120°C	0-10 bar	35 mm	VİTON	139
ZS1DF02V1J40	1 1/2"	120°C	0-10 bar	40 mm	VİTON	159
ZS1DF02V1K50	2"	120°C	0-10 bar	50 mm	VİTON	225



SANVALVE SOLENOİD VALFLER

2/2 YOLLU NORMALDE AÇIK - SIFIR BASINÇ

PİRİNÇ



KOD	ÖLÇÜ	SICAKLIK	BASINÇ	ORİFİS	SIZDIRMAZLIK	FİYAT [₺]
ZS2DF02V1D16	1/2"	120°C	0-5 bar	16 mm	VİTON	79
ZS2DF02V1E20	3/4"	120°C	0-5 bar	20 mm	VİTON	89
ZS2DF02V1G25	1"	120°C	0-5 bar	25 mm	VİTON	104



3/2 YOLLU NORMALDE KAPALI ve AÇIK - ÇEKİRDEK TİP - DİREK ÇEKME Lİ

316



KOD	ÖLÇÜ	SICAKLIK	BASINÇ	ORİFİS	SIZDIRMAZLIK	FİYAT [₺]
SLV1DF02V3AV2	1/8"	130°C	0-8 bar	2 mm	VİTON	40
SLV1DF02V3BV1	1/4"	130°C	0-10 bar	1 mm	VİTON	42
SLV1DF02V3BV3	1/4"	130°C	0-7 bar	3 mm	VİTON	45
SLV2DF02V3BV3	1/4"	130°C	0-7 bar	3 mm	VİTON	48
SLT1DF02V4BV3	1/4"	130°C	0-9 bar	3 mm	VİTON	59
SLT1DF02V3BV3	1/4"	130°C	0-9 bar	3 mm	VİTON	59
SLT1DF02V5BV1	1/4"	140	0-10 bar	1 mm	VİTON	59
SLT1DF02V5BV3	1/4"	140	0-7 bar	3 mm	VİTON	62



3/2 YOLLU NORMALDE KAPALI ve AÇIK - ÇEKİRDEK TİP - DİREK ÇEKME Lİ

PİRİNÇ



KOD	ÖLÇÜ	SICAKLIK	BASINÇ	ORİFİS	SIZDIRMAZLIK	FİYAT [₺]
SLV1DF02V1AV2	1/8"	130°C	0-8 bar	2 mm	VİTON	26
SLV1DF02V1BV1	1/4"	130°C	0-10 bar	1 mm	VİTON	28
SLV1DF02V1BV3	1/4"	130°C	0-7 bar	3 mm	VİTON	29
SLV2DF02V1AV2	1/8"	130°C	0-7 bar	2 mm	VİTON	28
SLV2DF02V1BV3	1/4"	130°C	0-7 bar	3 mm	VİTON	29
SLT1DF02V9BV3	1/4"	130°C	0-9 bar	3 mm	VİTON	45
SLT1DF02V1BV3	1/4"	130°C	0-9 bar	3 mm	VİTON	49
SLM3DH02V1A02	1/8"	130°C	0-13 bar	2 mm	VİTON	14
SLM3DH02V1BC3	1/4"	130°C	0-13 bar	3 mm	VİTON	16



3/2 YOLLU NORMALDE KAPALI ve AÇIK - ÇEKİRDEK TİP - DİREK ÇEKME Lİ



KOD	ÖLÇÜ	SICAKLIK	BASINÇ	ORİFİS	SIZDIRMAZLIK	FİYAT [₺]
SLT1DF02V1C16	3/8"	140°C	0,5- 10 bar	16 mm	VİTON	130
SLT3AH02V1D11	1/2"	130°C	0-20 bar	11 mm	VİTON	Sorunuz
SLT3AH02V1J32	1 1/2"	130°C	0-10 bar	32 mm	VİTON	Sorunuz
ZXF1AH02P1D16	1/2"	120°C	0-64 bar	16 mm	Axial	Sorunuz
ZXF1AH02P1E17	3/4"	120°C	0-64 bar	20 mm	Axial	Sorunuz
ZXF1AH02P1G25	1"	120°C	0-64 bar	25mm	Axial	Soru



SANVALVE SOLENOİD VALFLER

2/2 YOLLU NORMALDE KAPALI - ÇEKİRDEK TİP - DİREK ÇEKME Lİ

KOMPLE PLASTİK



KOD	ÖLÇÜ	SICAKLIK	BASINÇ	ORİFİS	SIZDIRMAZLIK	FİYAT [\$]
ZS1DF02V7D16	1/2"	120°C	0-10 bar	16 mm	VİTON	29
ZS1DF02V7E20	3/4"	120°C	0-10 bar	20 mm	VİTON	32
ZS1DF02V7G25	1"	120°C	0-10 bar	25 mm	VİTON	39
SLP1DF02N7H35	1 1/4"	90°C	0-10 bar	35 mm	NBR	59
SLP1DF02N7J40	1 1/2"	90°C	0-10 bar	40 mm	NBR	60
SLP1DF02N7K50	2"	90°C	0-10 bar	50 mm	NBR	Sorunuz



KOMPLE PLASTİK PA6

2/2 YOLLU NORMALDE KAPALI - ÇEKİRDEK TİP - DİREK ÇEKME Lİ

TEFLON



KOD	ÖLÇÜ	SICAKLIK	BASINÇ	ORİFİS	SIZDIRMAZLIK	FİYAT [\$]
SLF1DF02T06	1/4"	185°C	20 bar	6 mm	TEFLON	85
SLF1DF02T15	1/2"	185°C	10 bar	15 mm	TEFLON	165
SLF1DF02T20	3/4"	185°C	10 bar	20 mm	TEFLON	215
SLF1DF02T25	1"	185°C	10 bar	25 mm	TEFLON	245



2/2 YOLLU NORMALDE KAPALI - ÇEKİRDEK TİP - DİREK ÇEKME Lİ



KOD	ÖLÇÜ	SICAKLIK	BASINÇ	ORİFİS	SIZDIRMAZLIK	FİYAT [\$]
ZCT1DF02V5B03	1/4"	130°C	13 bar	3 mm	VİTON	35
ZCT1DF02V5B04	1/4"	130°C	7 bar	4 mm	VİTON	39
ZCT1DF02V5D06	1/2"	130°C	6 bar	6 mm	VİTON	45



2/2 YOLLU NORMALDE KAPALI - ÇEKİRDEK TİP - DİREK ÇEKME Lİ

PLASTİK



KOD	ORİFİS	SICAKLIK	BASINÇ	SEAL	VOLTAJ	FİYAT [\$]
SLC6-1/4	3 mm	100°C	0-6,5 bar	EPDM	220VAC	12,5
SLC6-1/4	3 mm	100°C	0-6,5 bar	EPDM	24VDC	12,5
SLC6-1/4	3 mm	100°C	0-6,5 bar	EPDM	12VDC	12,5



2/2 YOLLU NORMALDE KAPALI - ÇEKİRDEK TİP - DİREK ÇEKME Lİ

PLASTİK



KOD	ORİFİS	SICAKLIK	BASINÇ	SEAL	VOLTAJ	FİYAT [\$]
SLC2-1/4	2,5 mm	100°C	0-8 bar	EPDM	220VAC	6,5
SLC2-1/4	2,5 mm	100°C	0-8 bar	EPDM	24VDC	6,5
SLC2-1/4	2,5 mm	100°C	0-8 bar	EPDM	12VDC	6,5
SLC4-12-14	2,5 mm	100°C	0-8 bar	EPDM	220VAC	6,5
SLC-17-1/2"	10 mm	80°C	0,2-8 bar	EPDM	24VDC	6,5



2/2 YOLLU NORMALDE KAPALI - ÇEKİRDEK TİP - DİREK ÇEKME Lİ



KOD	ÖLÇÜ	SICAKLIK	BASINÇ	SEAL	VOLTAJ	FİYAT [\$]
SLB1AH02T1D13	1/2"	180°C	1-10 bar	TEFLON	220VAC	62
SLB1AH02T1E20	3/4"	180°C	1-10 bar	TEFLON	220VAC	69
SLB1AH02T1G25	1"	180°C	1-10 bar	TEFLON	220VAC	89
SLB1AH02T1H32	1 1/4"	180°C	1-10 bar	TEFLON	220VAC	149
SLB1AH02T1J40	1 1/2"	180°C	1-10 bar	TEFLON	220VAC	154



SANVALVE SOLENOİD VALFLER

2/2 YOLLU NORMALDE KAPALI - ÇEKİRDEK TİP - DİREK ÇEKMELİ

PLEXİGLAS



KOD	ÖLÇÜ	SICAKLIK	BASINÇ	SEAL	GÖVDE	FİYAT [€]
ZCT1DF02V9D10	1/2" 10 mm	80°C	0-10 bar	VİTON	Plex	65
ZCT1DF02V9E15	3/4" 15 mm	80°C	0-10 bar	VİTON	Plexi	75
SLJ10F02V9JC2	Plate 2 mm	130°C	0-8 bar	VİTON	PRİNÇ	25



ZAMANLAYICI(TIMER)



KOD	TİP	VOLTAJ	KORUMA	FİYAT [€]
SLX-W&N	ANALOG	24-220 VAC/DC	IP65	9,5
SBD-1/2"	GÖVDE	24-220 VAC/DC	IP65	25
SBD-1/2"	KOMPLE TIMER	24-220 VAC/DC	IP65	32
SBD-1/2" ECO	KOMPLE TIMER	24-220 VAC/DC	IP65	19



SOLENOİD VALF YEDEK PARÇALARI - BOBİNLER



14 mm

KOD	DETAY	ÖLÇÜ	P.S	GÜÇ	VOLTAJ	FİYAT [€]
D04-3101	NC	14 mm	100% ED	13 W	220VAC	6,95
D04-3102	NC	14 mm	100% ED	13 W	110VAC	6,95
D04-3104	NC	14 mm	100% ED	13 W	24VAC	6,95
D04-3106	NC	14 mm	100% ED	13 W	24VDC	6,95
D17-1611	NC	10 mm	100% ED	6 W	AC-DC	3,75
D01-4101	NO	16 mm	100% ED	32 W	220VAC	8,75
D01-4102	NO	16 mm	100% ED	32 W	110VAC	8,75
D03-5104	NO	16 mm	100% ED	32 W	24AC	8,75
D01-4104	NO	16 mm	100% ED	32 W	24VDC	8,75
D04-5102	NO	19 mm	100% ED	38 W	AC-DC	29



10 mm



16 mm



16 mm

2/2 YOLLU NORMALDE KAPALI - ÇEKİRDEK TİP - DİREK ÇEKMELİ

PLASTİK

KOD	ÖLÇÜ	SICAKLIK	BASINÇ	SEAL	VOLTAJ	FİYAT [€]
SLA1DF02T1D8	1/2"	180°C	0,5 - 8 bar	TEFLON	220VAC	29
SA1DF02V1AB02	1/4"	150°C	0-8 bar	VİTON	220VAC	12
SA1DF02V1AC03	1/4"	150°C	0-8 bar	VİTON	220VAC	19



SLA1DF02T1D8



SA1DF02V1AC03



SA1DF02V1AB02

SANVALVE SOLENOİD VALFLER

SOLENOİD VALF YEDEK PARÇALARI - DİYAFLAMLAR - SLP

VİTON



VİTON



NBR

KOD	ÖLÇÜ	SEAL	ÇAP	FİYAT [Ş]
SLP-10	PIRİNÇ - 1/2"	VİTON	27 mm	8
SLP-10	PASLANMAZ - 1/2"	VİTON	27 mm	10
SLP-15	3/8" - 1/2"	VİTON	40 mm	7
SLP-15	3/8" - 1/2"	NBR	40 mm	4
SLP-20	3/4"	VİTON	49 mm	8
SLP-20	3/4"	NBR	49 mm	5
SLP-25	1"	VİTON	66 mm	16
SLP-25	1"	NBR	66 mm	8
SLP-35	1 1/4"	VİTON	91 mm	25
SLP-40	1 1/2"	VİTON	93 mm	29
SLP-50	2"	VİTON	113 mm	32



316



Pirinç

SOLENOİD VALF YEDEK PARÇALARI - DİYAFLAMLAR - ZS

VİTON



KOD	ÖLÇÜ	SEAL	ÇAP	FİYAT [Ş]
ZS-10	PIRİNÇ - 1/2"	VİTON	25 mm	10
ZS-10	PASLANMAZ - 1/2"	VİTON	25 mm	12
ZS-15	3/8" - 1/2"	VİTON	40 mm	7
ZS-20	3/4"	VİTON	49 mm	9
ZS-25	1"	VİTON	66 mm	14
ZS-35	1 1/4"	VİTON	91 mm	19
ZS-40	1 1/2"	VİTON	93 mm	23
ZS-50	2"	VİTON	113 mm	32

SOLENOİD VALF YEDEK PARÇALARI - DİYAFLAMLAR - SLM

NBR



KOD	ÖLÇÜ	SEAL	ÇAP	FİYAT [Ş]
SLM-12	1/2"	NBR	40 mm	5
SLM-20	3/4"	NBR	49 mm	6
SLM-25	1"	NBR	66 mm	9



SOLENOİD VALF YEDEK PARÇALARI - PASLANMAZ TEFLON PİSTON TAKIMLARI

TEFLON



KOD	ÖLÇÜ	SEAL	ÇAP	FİYAT [Ş]
SLA-SLH	1/2"	PASLANMAZ TEFLON	30 mm	15
SLA-SLH	3/4"	PASLANMAZ TEFLON	36 mm	20
SLA-SLH	1"	PASLANMAZ TEFLON	41 mm	30
SLA-SLH	1 1/2"	PASLANMAZ TEFLON	49 mm	45
SLA-SLH	2"	PASLANMAZ TEFLON	66 mm	58

SOLENOİD VALF YEDEK PARÇALARI - PASLANMAZ VİTON PİSTON TAKIMLARI

TEFLON



KOD	ÖLÇÜ	SEAL	ÇAP	FİYAT [Ş]
SLG	1/2"	PASLANMAZ VİTON	30 mm	14
SLG	3/4"	PASLANMAZ VİTON	36 mm	19
SLG	1"	PASLANMAZ VİTON	41 mm	29

NEW!

SANVALVE SOLENOİD VALFLER

SANVALVE

SOLENOİD VALF YEDEK PARÇALARI - PASLANMAZ TEFLON PİSTON TAKIMLARI

TEFLON



KOD	ÖLÇÜ	SEAL	ÇAP	FİYAT [Ş]
SLB	1/2"	PASLANMAZ TEFLON	40 mm	19
SLB	3/4"	PASLANMAZ TEFLON	45 mm	22
SLB	1"	PASLANMAZ TEFLON	66 mm	24
SLB	1 1/4"	PASLANMAZ TEFLON	78 mm	38
SLB	1 1/2"	PASLANMAZ TEFLON	78 mm	39



SOLENOİD VALF YEDEK PARÇALARI - BOBİNLER



KOD	TEKNİK AÇIKLAMA	ÇAP	FİYAT [Ş]
SEC20DC24	24V DC EX-PROOF	20 mm	98
SEC20AC220	220V AC EX-PROOF	20 mm	98
SEC17DC24	24V DC EX-PROOF	17 mm	74
SEC17AC220	220V AC EX-PROOF	17 mm	74
SEC16DC24	24V DC EX-PROOF	16 mm	65
SEC16AC220	220V AC EX-PROOF	16 mm	65
SEC14DC24	24V DC EX-PROOF	14 mm	59
SEC14AC220	220V AC EX-PROOF	14 mm	59
SEC13DC24	24V DC EX-PROOF	13 mm	43
SEC13AC220	220V AC EX-PROOF	13 mm	43
SEC09DC24	24V DC EX-PROOF	9 mm	34
SEC09AC220	220V AC EX-PROOF	9 mm	34
SEC09-ECOEX	220 AC-24V DC EX-PROOF	9 mm	25



SOLENOİD VALF YEDEK PARÇALARI - ÇEKİRDEK VE KOVAN

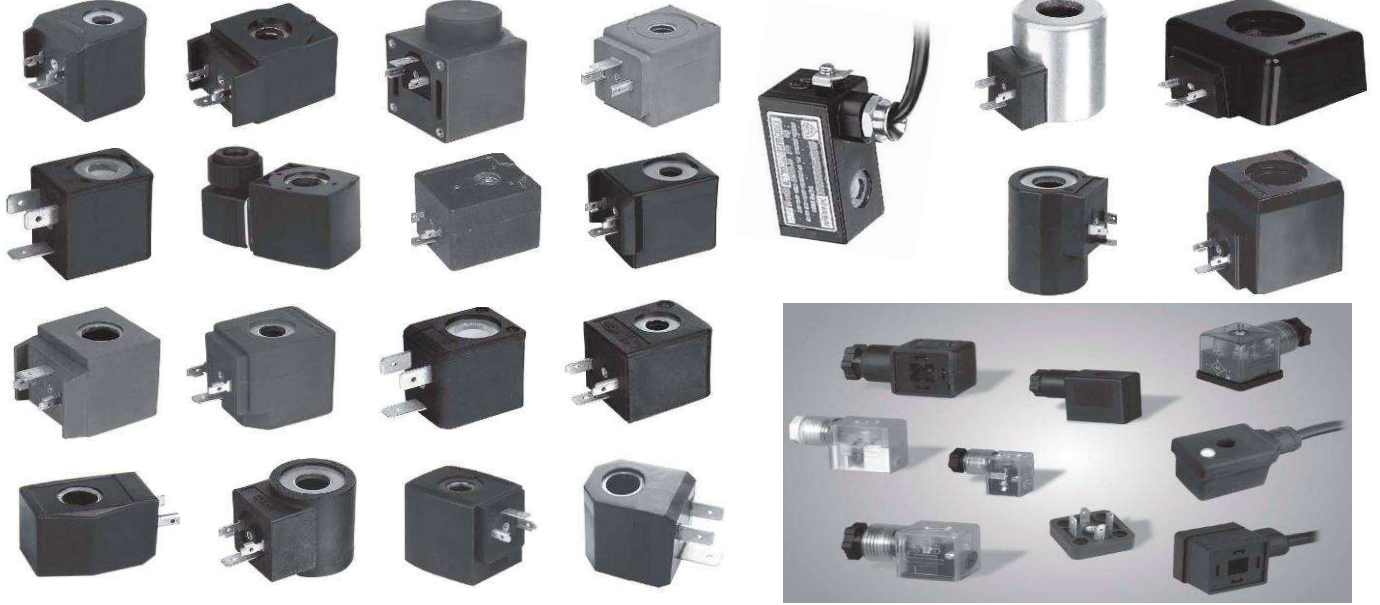


KOD	TEKNİK AÇIKLAMA	ÇAP	FİYAT [Ş]
SLM-NC10	PASLANMAZ ÇEKİRDEK	10 mm	7
SLM-NC10	PASLANMAZ KOVAN	10 mm	8
SLT-NC14	PASLANMAZ ÇEKİRDEK	14 mm	10
SLT-NC14	PASLANMAZ KOVAN	14 mm	12
SPAS-NC14	PASLANMAZ ÇEKİRDEK	14 mm	12
SPTA-NC14	PASLANMAZ KOVAN	14 mm	14
ZS2-NC16	PASLANMAZ ÇEKİRDEK	16 mm	12
ZS2-NC16	PASLANMAZ KOVAN	16 mm	14
SLG-NC16	PASLANMAZ ÇEKİRDEK	16 mm	14
SLG-NC16	PASLANMAZ KOVAN	16 mm	16
SLA-NC16	PASLANMAZ ÇEKİRDEK	16 mm	15
SLA-NC16	PASLANMAZ KOVAN	16 mm	17
SPAS-NO16	PASLANMAZ ÇEKİRDEK	16 mm	12
SPTA-NO16	PASLANMAZ KOVAN	16 mm	14
SPLAS-NC16	PASLANMAZ ÇEKİRDEK	16 mm	14
SPTLA-NO16	PASLANMAZ KOVAN	16 mm	16
RV08-NC17	PASLANMAZ ÇEKİRDEK	17 mm	12
RV08-NC17	PASLANMAZ KOVAN	17 mm	15
RV08-TEF	TEFLON PİSTON	8 mm	7



SANVALVE SOLENOİD BOBİNLER

***** 7 mm den 32 mm kadar 12-24-48-110-220 AC ve DC Voltajlar *****



PASLANMAZ PİSTONLU VANALAR



1 1/4" - 1 1/2" - 2"

KOD	ÖLÇÜ	AÇIKLAMA	FİYAT [₺]
SVPPV-15	1/2"	NC -20 + 200 C - 16 Bar	55
SVPPV-20	3/4"	NC -20 + 200 C - 16 Bar	58
SVPPV-25	1"	NC -20 + 200 C - 16 Bar	65
SVPPV-32	1 1/4"	NC -20 + 200 C - 16 Bar	105
SVPPV-40	1 1/2"	NC -20 + 200 C - 16 Bar	108
SVPPV-50	2"	NC -20 + 200 C - 16 Bar	128
SVPPV-65	2 1/2"	NC -20 + 200 C - 16 Bar	Sorunuz
SVPPV-80	3"	NC -20 + 200 C - 16 Bar	Sorunuz



1/2" - 3/4" - 1"

PİRİNÇ GÖVDE PİSTONLU VANALAR



KOD	ÖLÇÜ	AÇIKLAMA	FİYAT [₺]
SVPVP-15	1/2"	0 - 8 Bar/ TEFLON - 150 C/ 13 mm	29
SVPVP-20	3/4"	0 - 8 Bar/ TEFLON - 150 C/ 16 mm	32
SVPVP-25	1"	0 - 8 Bar/ TEFLON - 150 C/ 25 mm	36
SVPVP-40	1 1/2"	0 - 8 Bar/ TEFLON - 150 C/ 40 mm	67
SVPVP-50	"	0 - 8 Bar/ TEFLON - 150 C/ 50 mm	69



DİJİTAL BASINÇ SİVİCİ



KOD	ÖLÇÜ	AÇIKLAMA	FİYAT [₺]
DPS-201-GP	1/8"	(-1 +1 Bar) 2 PNP	29
DPS-210-GP	1/8"	(-1 +10 Bar) 2 PNP	29
DPS-201-GW	1/8"	(-1 +1 Bar) 1 PNP / 1 - 5 V	29
DPS-210-GW	1/8"	(-1 +10 Bar) 1 PNP / 1 - 5 V	29
DPS-2-N	20 x 20 mm	PANO BRAKET + KAPAK	3,5



NEW!

SANVALVE SOLENOİD BOBİNLER

SANVALVE ZW TİP SULAMA VALFLERİ

KOD	ÖLÇÜ	AÇIKLAMA	FİYAT [Ş]
SVZW-25	1"	1-10 Bar/43 C/ 24 V AC	19
SVZW-40	1 1/2"	1-10 Bar/43 C/ 24 V AC	45
SVZW-50	2"	1-10 Bar/43 C/ 24 V AC	59



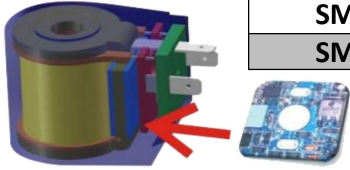
100P
1" (26/34) Valve

150P
1 1/2" (40/49) Valve

200P
2" (50/60) Valve

SM TİP YENİ JENERASYON SOLENOİD VALF BOBİNLERİ

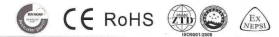
KOD	ÖLÇÜ	AÇIKLAMA	FİYAT [Ş]
SM - 256	14 mm	24 AC/DC - 110 AC - 220 AC	25
SM - 055	16 mm	24 AC/DC - 110 AC - 220 AC	28



NEW!

NEXT GENERATION SOLENOID VALVE-SM SERIES SOLENOID VALVE PATENT NUMBER:ZL 2015 2 0192971.0 COIL PATENT NUMBER:ZL 2015 2 0454099.2

SM Series Coil



The Professional Solenoid Valve Manufacturer.



Low Power Strong Thrust Solenoid Valve

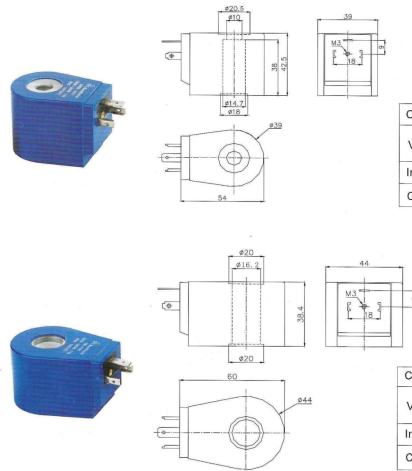
Characteristics of SM coil:

1. Power will be 1/4 of the original coil
2. Working long time will no get heat and long life cycle
3. Coil put tension enhanced 3 times faster response speed
4. Significantly lowering the controller power
5. Suit for super high pressure solenoid valve
6. No need larger power coil
7. Suitable for all kinds of AC/DC solenoid valve



Parameters of the solenoid valve with old type& new type coil	Standard coil	New type coil
Point	3.00 mm	3.00 mm
Orifice	12W/22VA	3W/4.5VA
Power consumption	13bar	50bar
Max working pressure	≥80℃	≤50℃
Coil temp.	AC maybe has the noise	AC no noise
Noise	≤1,000,000	≥50,000,00
coil life cycle		

External Dimensions:



Coil code	SM-310
Voltage	AC220V/230V/110V 50HZ/60HZ DC24V
Insulation class	F class
Coil connect type	DIN43650A

Coil code	SM-410
Voltage	AC220V/230V/110V 50HZ/60HZ DC24V
Insulation class	F class
Coil connect type	DIN43650A

SM Coil parameters tables

Coils Model code	Voltage	Power consumption		Electricity	
		Inrush	Holding	Inrush	Holding
SM-3101	AC220V	78VA	4.5VA	360mA	20mA
SM-3102	AC110V	70VA	4.6VA	640mA	43mA
SM-3106	DC24V	32W	8W	1360mA	320mA
SM-4101	AC220V	140VA	6.7VA	635mA	31mA
SM-4102	AC110V	95VA	8VA	900mA	80mA
SM-4106	DC24V	39W	9W	1650mA	380mA

Green technology: Low Power Strong Thrust Solenoid Valve Innovation Research And Application

They key technology and research process

